

The logo for Ferroli, featuring the word "ferroli" in a bold, lowercase sans-serif font. A thin orange arc is positioned above the letter "o".

Made by



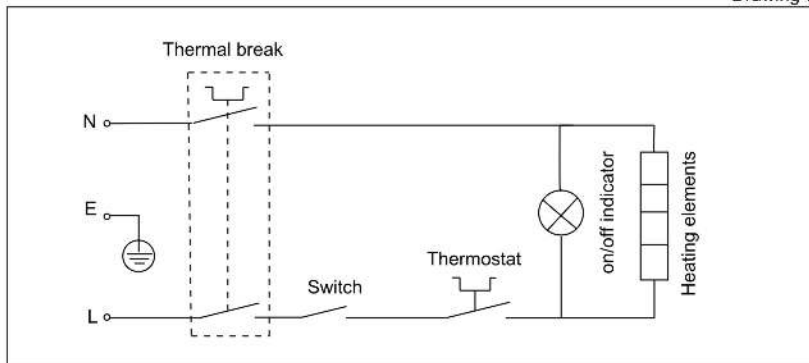
## **User's Manual**

**Bravo series**

Electric Glassline Water Heater

## Wiring diagram

Drawing 6



## Packing list

Table 3

NO.	Name	Quantity
1	Safety valve	1 piece
2	User's manual	1 copy
3	Gasket	1 piece
4	Hook	2 piece

Dear Customer,

Thank you for choosing Bravo series, a FERROLI caloreclima electric water heater featuring advanced design, cutting-edge technology, high reliability and quality construction.

Please read this manual carefully and keep it for future reference.

## Index

1. Introduction-----	1
2. General view and main components-----	2
3. Technical data table-----	2
4. Installation-----	3
5. Operating instructions-----	5
6. Safety warnings-----	5
7. Maintenance-----	6
8. Trouble shooting-----	6
9. Wiring diagram-----	7
10. Packing list-----	7

## Introduction

Bravo series is a high-efficiency heat generator for hot water production running on electric power and regulated by an advanced temperature setting system.

Thanks to the integrated POLY insulating technology, the product is equipped with extra thick insulating layer which can effectively prevent the heat loss from the out shell and save the energy. The heater has a good safety system by using anti over-heating protection, anti over pressure protection and automatic cutting off according to desired temperature. The product is made from product line that is fully computer controlled: the special designed silicon powder is well coated on the inner tank surface by electrostatic technology.

Process of cooking at 850°C finally makes the inner tank perfectly protected against shock and corrosion. The extra big magnesium anode also provides a long product life.

The user only has to set the temperature desired. The temperature setting system will provide optimum operation the time. The operation indicator can tell the user it is heating or not.

## Warning

1. Appliance not intended for use by persons (including children) with reduced physical, sensory or mental capabilities, or lack of experience and knowledge.
2. Children should be supervised by a person responsible for their safety to ensure that they do not play with the appliance.

## Maintenance

1. Since water contains micro-impurity and mineral substance, deposit will occur on the bottom of the inner tank after long term of use, the water heater should be emptied to remove the deposit.
2. Generally, the heater should be cleaned once a year. (If used in zones with low water quality, the cleaning period should be shorter accordingly.)
3. The magnesium anode replacement should be done by customer service.

4. Heater empty procedures:  
Close water inlet valve, unscrew safety valve. Water will flow out through cold water inlet till empty. Or close water inlet valve, lift the handle of safety valve. Water will run out from safety valve.
5. For exterior part cleaning of the product, no water spraying directly, clean and dry it with soft cloth lightly.
6. Keep exterior part of the water heater dry and clean.

## Trouble shooting

Table 2

Fault possible	Cause	Cure
No water comes out	Incorrect connection of pipes	Connect correctly
	Valve blocking	Clean or replace the valve
ON/OFF indicator not working	No power connection	Check electrical connection
	Overheating occurs	Call customer service
Indicator breaks		
Not enough hot water	Temperature setting knob has not been switched to "High"	Turn the knob towards "High"
	Extremely cold water when using mixer	Adjust mix of hot water and cold water
	Failure of thermostat	Call customer service
	Failure of heating element	

## Operating instructions

1. Confirming the heater has been filled with water and electrical connected.
2. Turn the temperature-setting knob to the required temperature. The on/off indicator should light and the heater starts to work.
3. The water heater has automatic

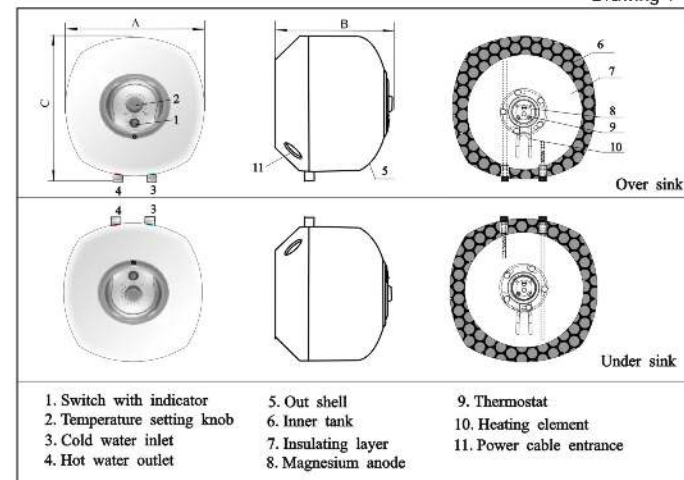
Constant temperature control function. The heater will shut off if water temperature reaches the setting, while turn on to ensure constant water temperature if water temperature drops down from desired one.

### Safety Warning

1. Must use 220V a.c. 50/60Hz, the electrical outlet should connect with earth line.
2. The heater should be filled with water before the first use (or the first time of use after maintenance or cleaning). Fill the heater and plug in. It is forbidden to switch on the product when it is not filled.
3. The highest water temperatures can reach above 75°C. Initially, feel water temperature with hands and avoid spraying to the body directly.
4. If water heater is installed with a water valve on cold inlet during working period, this valve must be always kept open.
5. During the heating period, it is normal if there is any water drops from pressure release outlet of the safety valve. Don't block up the safety valve.
6. Drainpipe that connects to the pressure release outlet should keep facing downward and open to atmosphere.
7. Only original safety valve from product packing can be used. Never adjust releasing pressure of the safety valve.
8. Any damage, which will occur to the electrical components, must be checked only by authorized technician.
9. During the winter, in case the water heater hasn't been used for a long period, water should be drained off to prevent inner tank freeze. Please remind to shut off the product before drainage.
10. Lift handle of the safety valve at least once per month and observe if there is any water drained out. If no water is drained out, please inform customer service.

## General view and main component

Drawing 1



## Technical data table

Table 1

Item	Model Data	SN10SVE1.5	SN15SVE1.5	SN30VE1.5
		SN10SVE1.5U	SN15SVE1.5U	
Rated water capacity(L)		10	15	30
Rated power(kW)		1.5	1.5	1.5
Power supply		220-240V a.c. 50/60Hz		
Max working pressure of Inner tank(Mpa)		0.8		
Temperature setting range(°C)		35-75		
Overall dimension (mm) (AXBXC)		240X291X347	360X329X375	440X389X455
Installation		Over sink (except SN10SVE1.5U /SN15SVE1.5U)		



## Installation

### Step 1: Product fixation

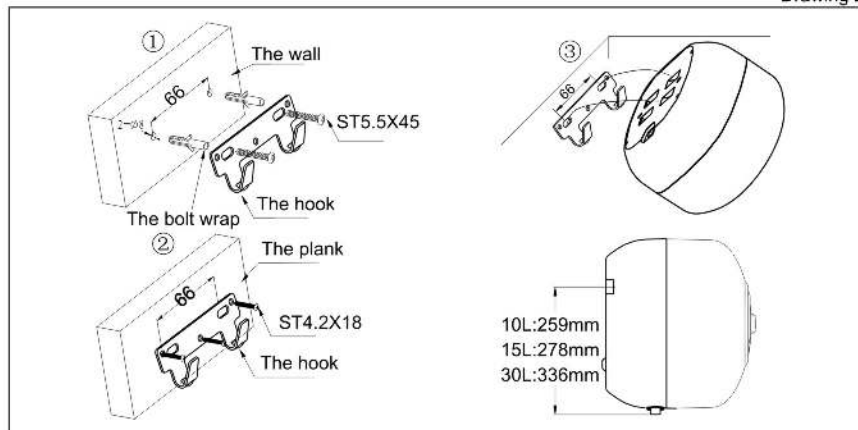
If install it on wall, drill two  $\Phi 8\text{mm}$  holes on wall, horizontal distance of two holes shall be 66mm. Insert bolt wraps into the performed holes, then tightly install the hooks with screws ST5.5X45. (Drawing2)

If install it on wooden plate, directly fix the hook onto wooden plate with ST4.2X18.

Lift the water heater, hang and fix it onto hook.

Note: It is strongly recommended to install the heater into a place equipped With a drainage system.

Drawing 2



### Step 2: Water pipe connection

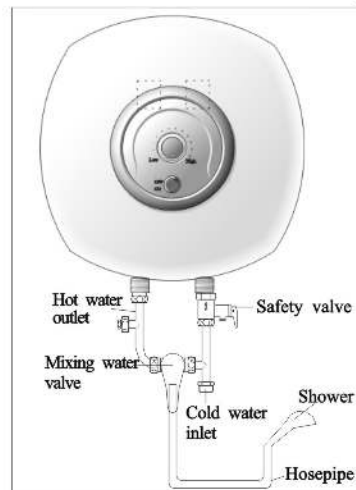
screw safety valve on cold water inlet. For multi-point water supply, connect water inlet and outlet pipe to the right reserved places respectively. (See Drawing 3)

For filling the product, after having completed the water connection, open any hot water tap then open the general

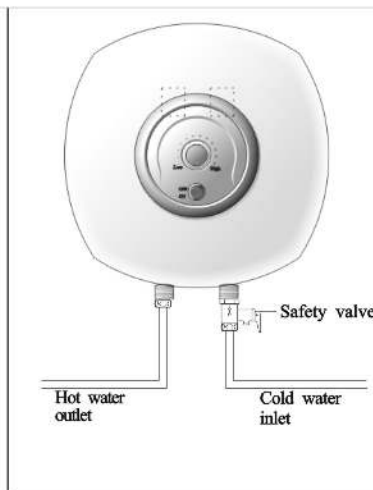
Water tap(if using mixer turn the handle towards hot position up to the maximum). After few minutes, water will start to run out from the hot water tap and this means that the tank is filled. Close the hot water tap.

Check every joint in order to make sure no water leakage.

Drawing 3



Drawing 4



### Note:

Water inlet and outlet pipe should be made by material whose pressure resistance should be over 0.8MPa and temperature resistance over 100°C. It is forbidden to use any pipe

with pressure and temperature resistance lower than required. Water inlet and outlet are distinguished clearly. The blue colour denotes cold-water inlet while the red one denotes hot outlet.

### Step 3: Power connection

Please before electrical connections check that the net provide a voltage of 220 in AC with a frequency of 50/60Hz.

The product is supplied with a link bank already connected with electrical components (see drawing 4). connecting the link bank to the electrical net work through an appropriate cable (see Drawing 5).

It is strongly recommended to install an external switch for cutting off power.

Please pay attention that the water heater must be connected with a reliable earth connection. It is recommended to install qualified earth leakage breaker in the loop.